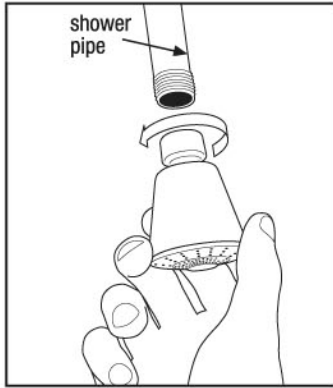
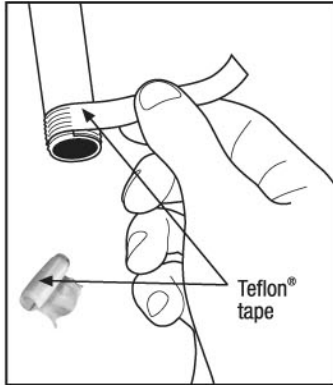


INSTALLATION



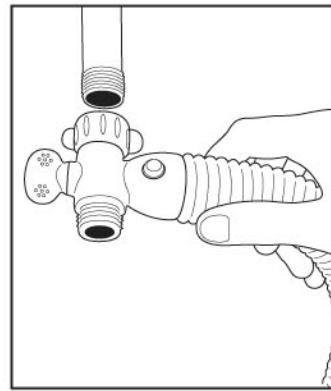
1. Remove Showerhead From Shower Arm

Pliers may be required to loosen showerhead. If pliers are needed, place a soft cloth between the pliers and the showerhead plumbing connector to prevent marring the connector's surface.



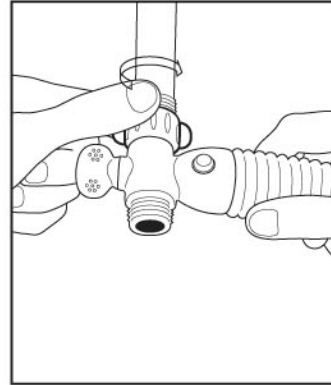
2. Seal Shower Arm Connection

Apply several turns of included Teflon® tape to seal shower arm threads.



3. Align Mirror Connector

Carefully align mirror connector with the threaded shower arm and hold the mirror as steady as possible.



4. Connect Mirror

Thread mirror onto shower arm by turning the free-spinning mirror connector clockwise. This connection can be loosened in order to adjust the mounted position of the mirror relative to the shower arm. Securely tighten once the desired mounting position has been reached.

NEED HELP? HAVE A PRODUCT QUESTION?

1-800-776-6364
9am - 5pm Pacific Time

www.showertek.com

Due to continuing improvements, actual product may differ slightly from instructional photos.

Showertek

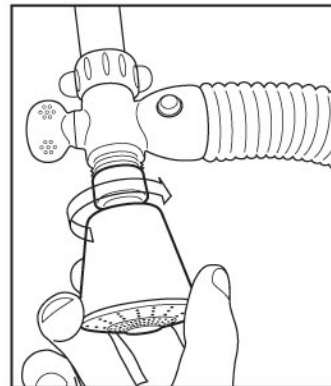
Warranty Instructions -

Fill out information on reverse side

Cut out warranty card

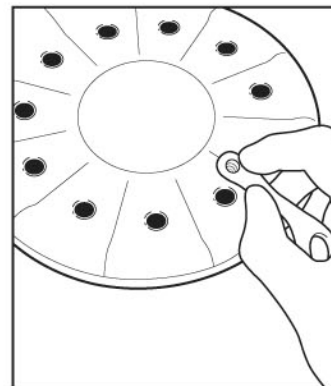
Place in stamped envelope addressed to:

Showertek, Inc.
Product Registration
2557 Napa Valley Corporate Drive
Suite F
Napa, CA
94558



5. Connect Showerhead

Replace the showerhead by screwing the showerhead connector onto the threaded shower mirror fitting. If pliers are needed to tighten the showerhead, place a soft cloth between the pliers and the showerhead connector to prevent marring.



6. Attach Razor Hanger

To attach the razor hanger snap it to one of the holes on the back that will allow it to hang below the bottom of the mirror. The razor hanger can be easily repositioned by removing it and inserting it into a different hole.



CARE

1. To prevent spotting on the mirror surface and frame use a soft bath towel to gently wipe away water droplets after each use.
2. To clean, use a nonabrasive liquid glass cleaner and a soft clean cloth.
3. Never use abrasive cleaners as they will scratch the mirror glass and frame finish.